



Famjet Pleyon printer combines all the advantages of HP Thermal Inkjet (TIJ) 2.5 technology with a reliable and flexible bulk ink delivery system. This new industrial printer meets the needs required in high volume printing applications on porous and non-porous substrates: superior print quality, high cost-efficiency and very low maintenance.



HP black solvent inks deliver high-quality alphanumeric and barcode readable output, and come with long decap and fast dry time to achieve high-productivity intermittent printing for Pharma & Food packaging, Industrial coding and other applications.

Easy to install and to use:

compact HP printhead and HP bulk ink delivery system, Famjet controller with 7" touch-screen

High performance:

powerful Famjet software, Android operating system, Wi-fi & LAN interface

Cost-effective:

only one printhead for 1.200 ml. of ink means no production down-time for frequent cartridges replacement

Maintenance free:

no pump, no air, genuine HP TIJ technology

Ecological:

no solvent steams, no waste of disposable cartridges



Technical Specifications Famjet Pleyon



<https://youtu.be/9HFu40Fo3nY>



Printing height:
Up to 25 mm



Display:
Touch Screen
7"



Resolution:
Up to 750 dpi



Printing capabilities:
Text, Variable informations,
Alphanumeric characters,
logos, 1&2D Barcodes



Memory:
16 GB,
32 GB optional



User Interface:
USB, Ethernet,
WI-FI connection,
i/o port



Consumables:
42ml printhead cartridge
(life 1200ml)
400ml bulk cartridge
for porous and non porous applications

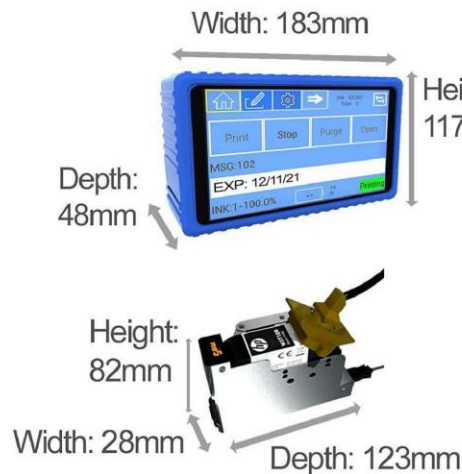


Voltage:
AC: 110v-220v
@ 50-60Hz 1A: 15v, 2A



Weight:
6 kg

DIMENSIONS



Via Leoncavallo 55, 20832 Desio (MB)
Phone: +39 0362 302877
Fax: +39 0362300076
info@fam-printing.com
www.fam-printing.com

